

### DESCRIPTION

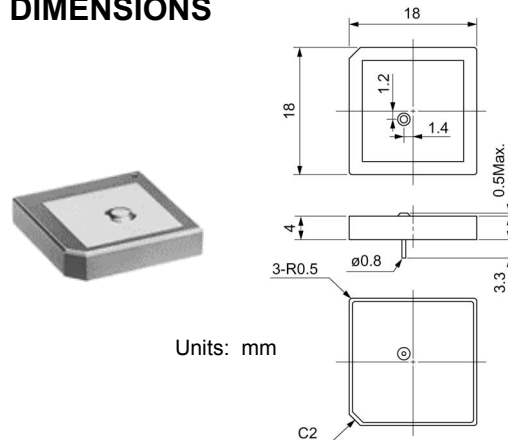
The TOKO DAX1575MS63T is a low profile, dielectric antenna element specifically designed for 1575.42 MHz L1 GPS applications. The flat patch antenna incorporates a rectangular micro-strip design for GPS C/A right-hand circular polarization wave reception. The DAX1575MS63T has excellent stability and sensitivity through the use of high performance ceramic materials well suited for GPS applications and ships with double-sided adhesive tape for ease in mounting to the ground plane.



### FEATURES

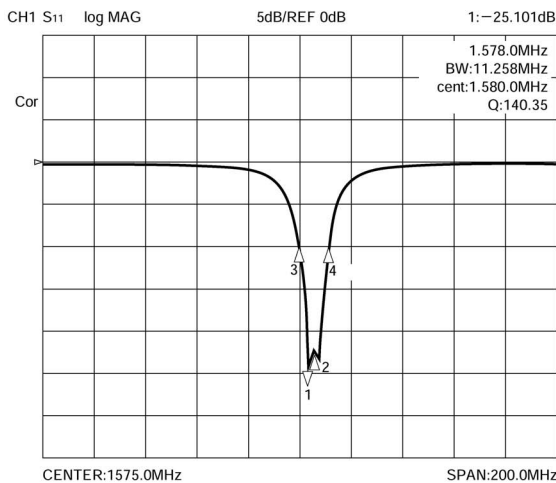
- **Range of Receiving Freq.:** 1575.42±1.023 MHz
- **Center Freq.:** 1580.5 MHz with 40mm<sup>2</sup> GND plane<sup>1</sup>
- **Bandwidth:** 6 MHz min.
- **Miniature Footprint:** 18mm x 18mm
- **Low Profile:** 4.5mm
- **Gain (Zenith 90°):** 0 dBi (typ.)
- **Impedance:** 50 Ω
- **Freq. Temperature Coefficient:** 20ppm/°C max.
- **Operating Temperature:** -40°C to +105°C
- **Storage Temperature:** -40°C to +105°C

### DIMENSIONS

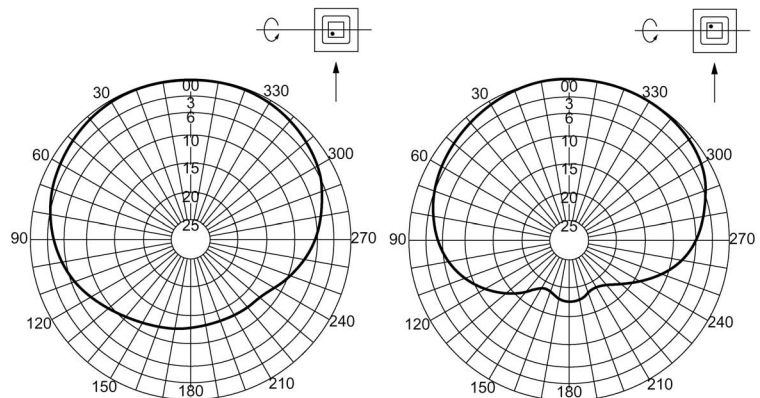


### TYPICAL CHARACTERISTICS

#### Return Loss



#### Directivity Charts



**NOTE 1:** Center frequency is shifted approximately 5MHz down when covered with a radome.

The information furnished by TOKO, Inc., is believed to be accurate and reliable. However, TOKO reserves the right to make changes or improvements in the design, specification, or manufacture of its products without further notice. TOKO does not assume any liability arising from the application or use of any product or circuit described herein, nor for infringements of patents or other rights of third parties which may result from the use of its products. No license is granted by implication or otherwise under any patent or patent rights of TOKO, Inc.